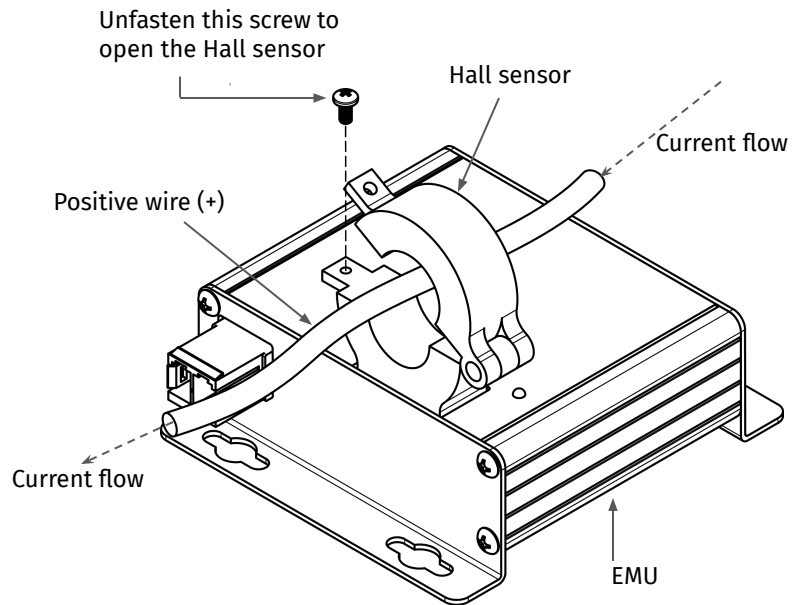
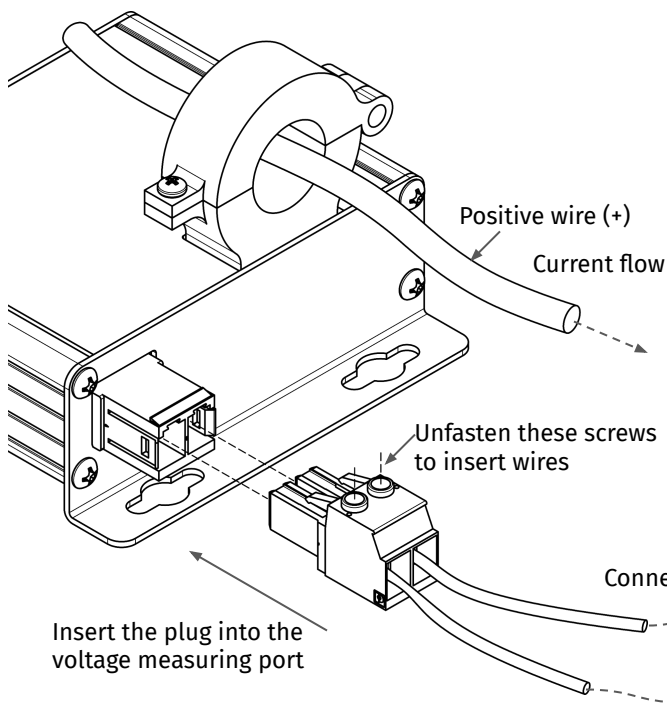


Step 1: Install EMU on any solid surface



Step 2: Feed the positive wire through the hall sensor



Step 3: Strip the power cords and connect them to the voltage measurement port

