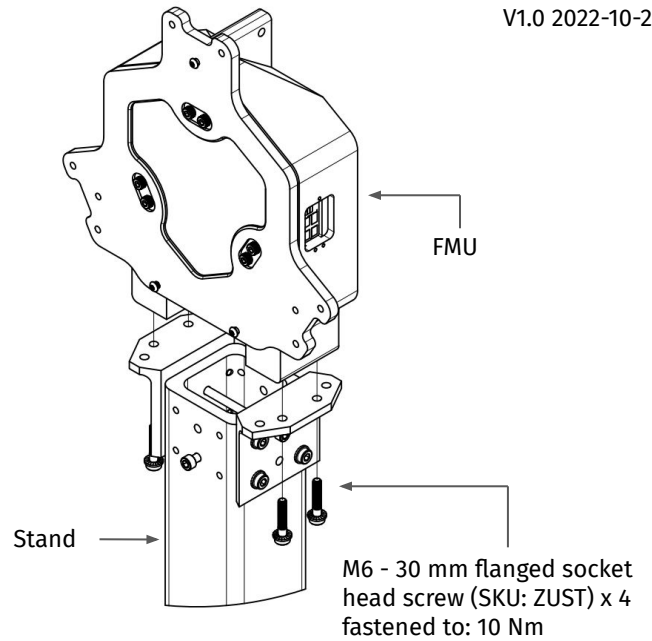
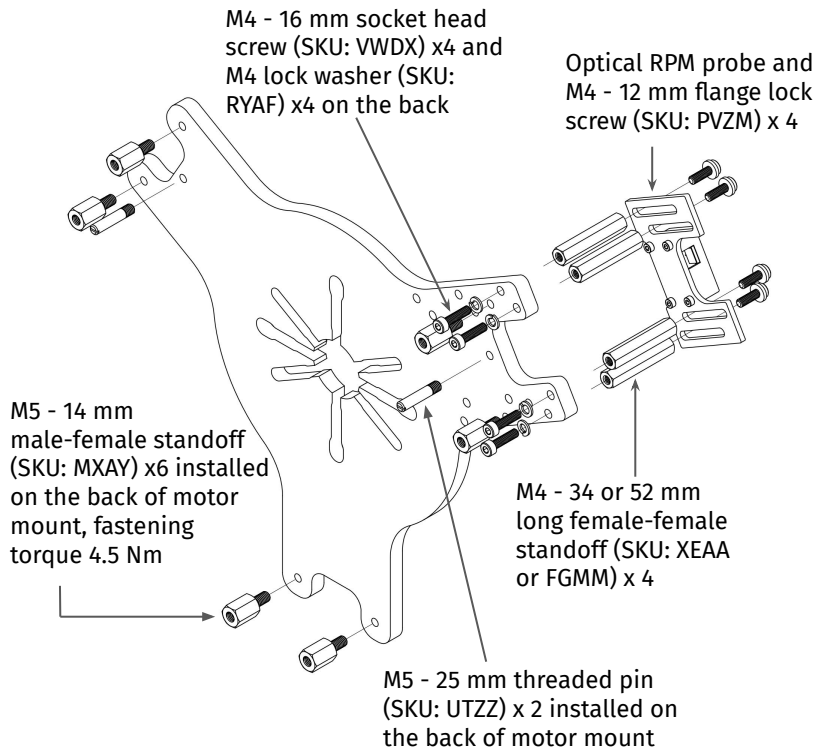


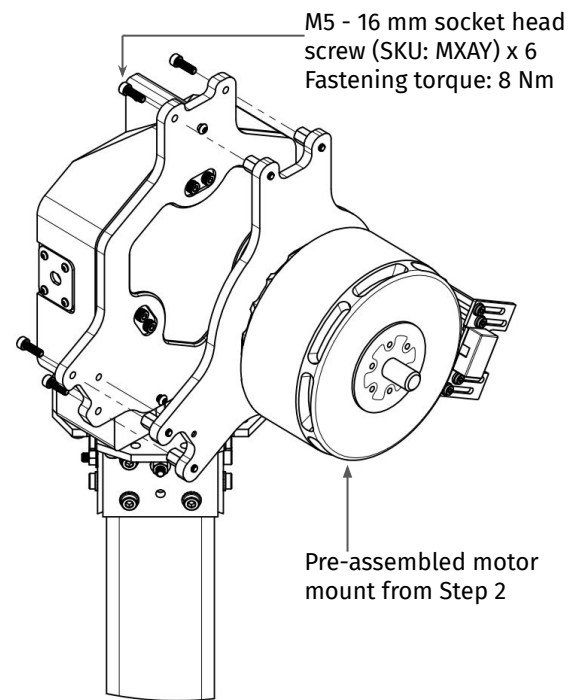
Step 1A: Install the FMU on the stand at a 45 degree angle (suggested for single motor testing). This configuration is slightly more aerodynamic.



Step 1B: Install the FMU on the stand at a 90 degree angle (suggested for dual motor testing). This configuration allows the FMUs to be closer together.



Step 2: Install the Optical RPM probe, motor, and standoffs on the motor mounting plate



Step 3. Install the motor mount on the FMU