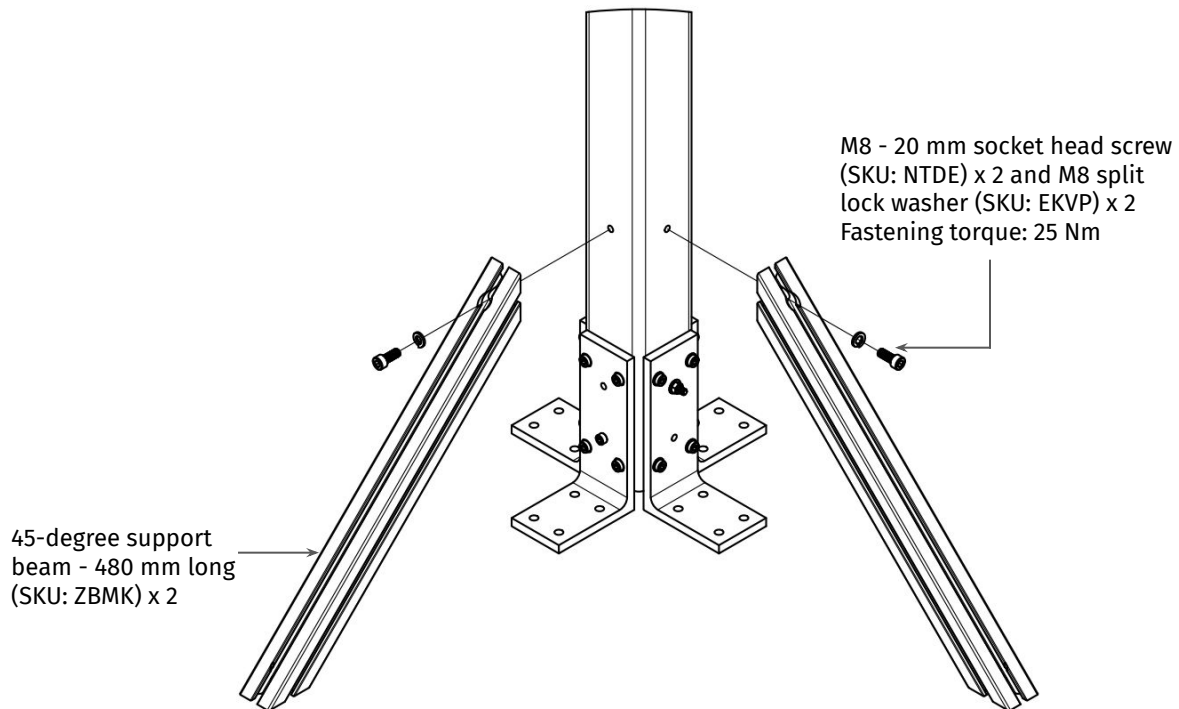
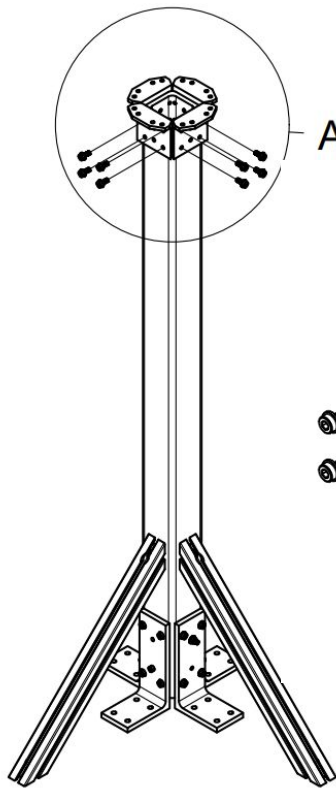


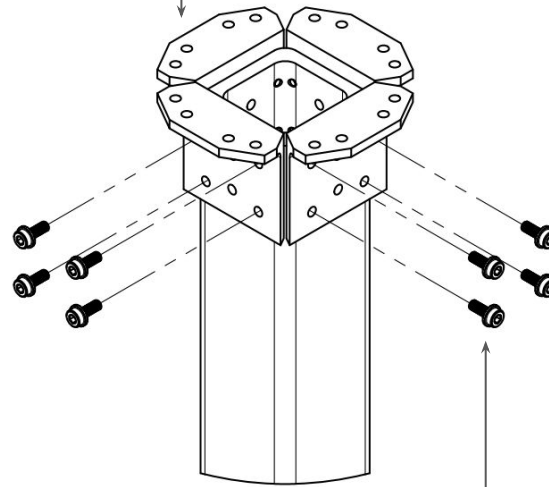
Step 2: Install the reinforcement bolts on the lower L brackets



Step 3: Install the 45-degree support beams on the stand



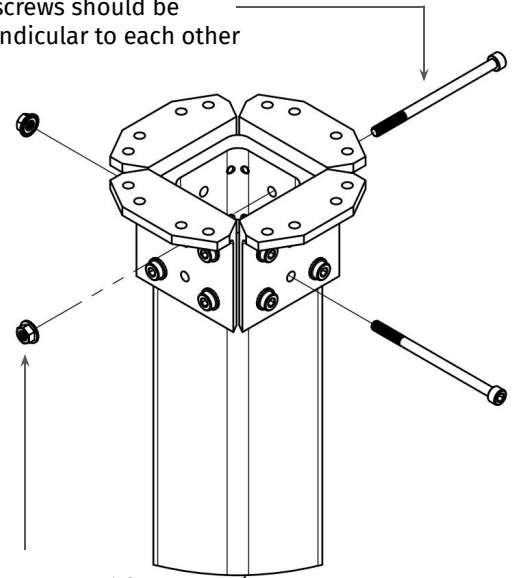
A
Upper fixation L-bracket (SKU: QHXS) x 4



M6 - 16 mm flange socket head screw (SKU: SXAT) x 16
Fastening torque: 15 Nm

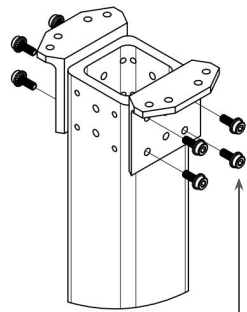
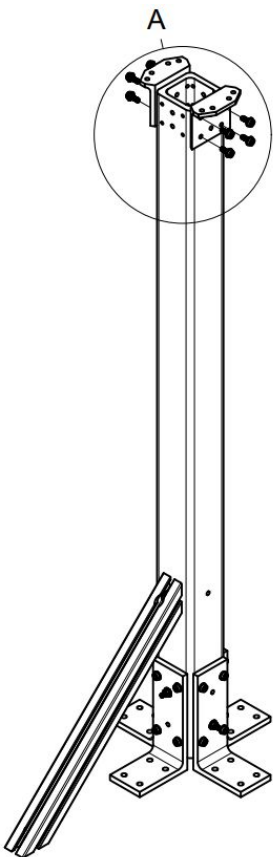
Step 4: Install four upper L-brackets to the stand (suggested for single motor testing)

M6 - 100 mm socket head screw 12 Nm (SKU: HCPX) x 2
both screws should be perpendicular to each other



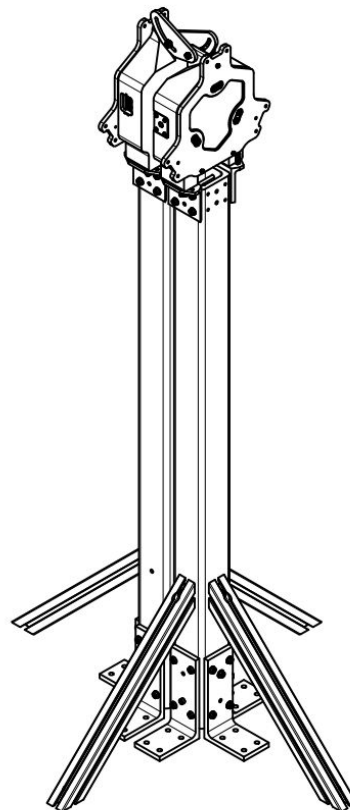
M6 serrated flange nut (SKU: PVZA) x 2
Fastening torque: 13 Nm

Step 5: Install the reinforcement bolts on the upper L-brackets



M6 - 16 mm flange socket head screw (SKU: SXAT) x 8
Fastening torque: 16.5 Nm

Step 4B: Install two upper L brackets on the stand (suggested for dual motor testing)



Step 5B: Overview of two stands in the dual motor testing setup